



IDEAL
stair parts

IDEAL
stair parts



President's Message

Expanded Inventory! Ideal now stocks **Brazilian Cherry, White Oak,** and **Mahogany.**

Ideal's mission is to combine our high quality manufacturing expertise along with our state-of-the-art distribution centers to provide you, our customers, with the best source of stair parts in the marketplace.

Understanding our success depends on our customers, we maintain a multi-million dollar inventory, in two locations, to ensure prompt delivery. We have a knowledgeable staff, with integrity, that provides legendary service to our customers.

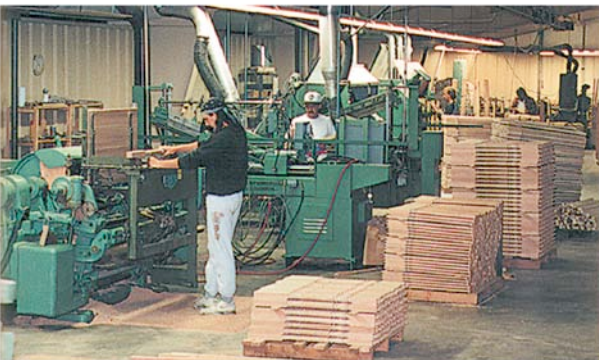
Give us a try; we are your IDEAL stair parts supplier.

Sincerely,
Bruce Mang
President
Ideal Stair Parts



CONTENTS

Signature Series.....	2
Classic Series.....	4
Designer Series.....	8
Hampton Series.....	12
Traditional Series.....	14
Showcase	18
Contemporary Series.....	20
Wrought Iron Series	22
Hand Rail Choices	24
Fittings.....	26
Stair Treads & Starting Steps.....	32
Accessories.....	34
Stair Parts Guide	36

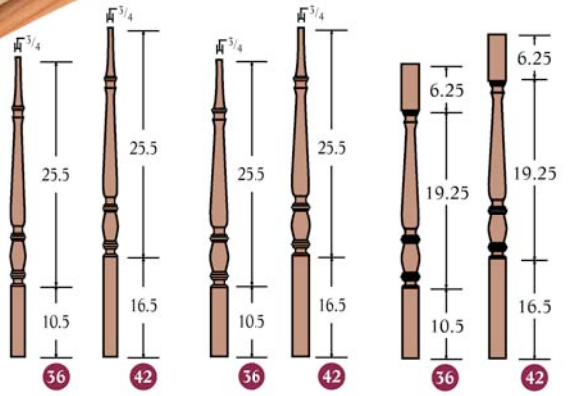


Every item
IN STOCK!

All items, except where noted,
are available for immediate delivery!



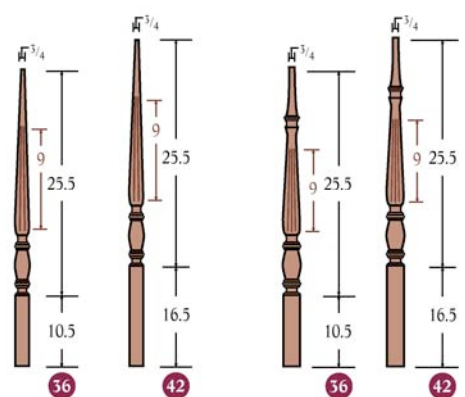
Signature Series



A 5301 R-1 1/4"
 Square bottom
 Available in RO, M, P, P2, C

A 5315 R-1 3/4"
 Square bottom
 Available in RO, M, P, P2, C, WO, BC, MG

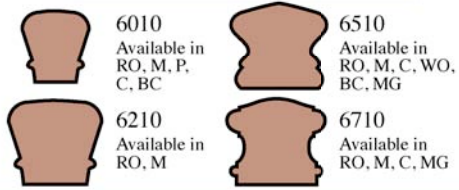
A 5325 S-1 3/4"
 Square top



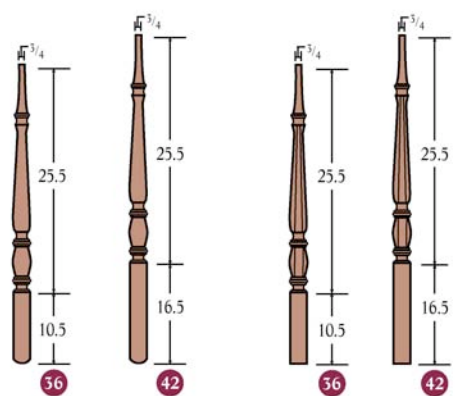
F 5311 R-1 1/4"
 Square bottom
 Available in RO, P2

F 5315 R-1 3/4"
 Square bottom
 Available in RO, M, P, P2, C, WO, BC, MG

Handrail Profile Choices



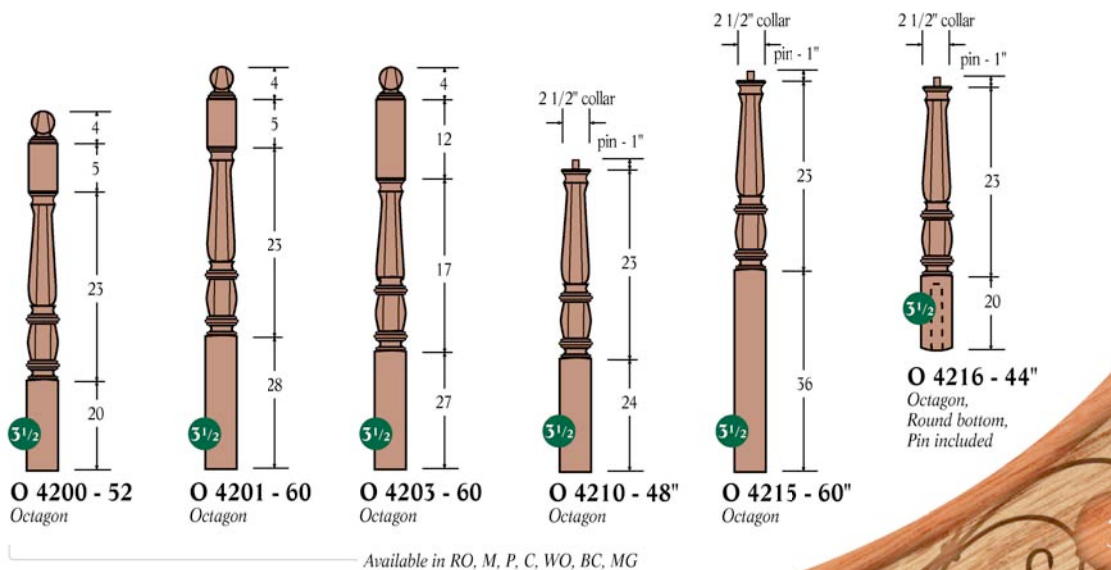
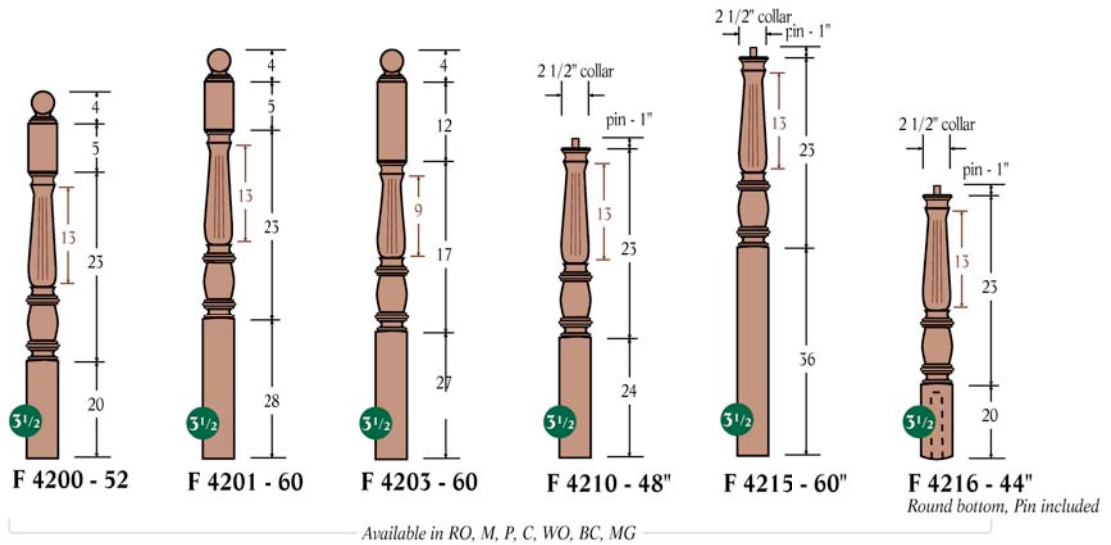
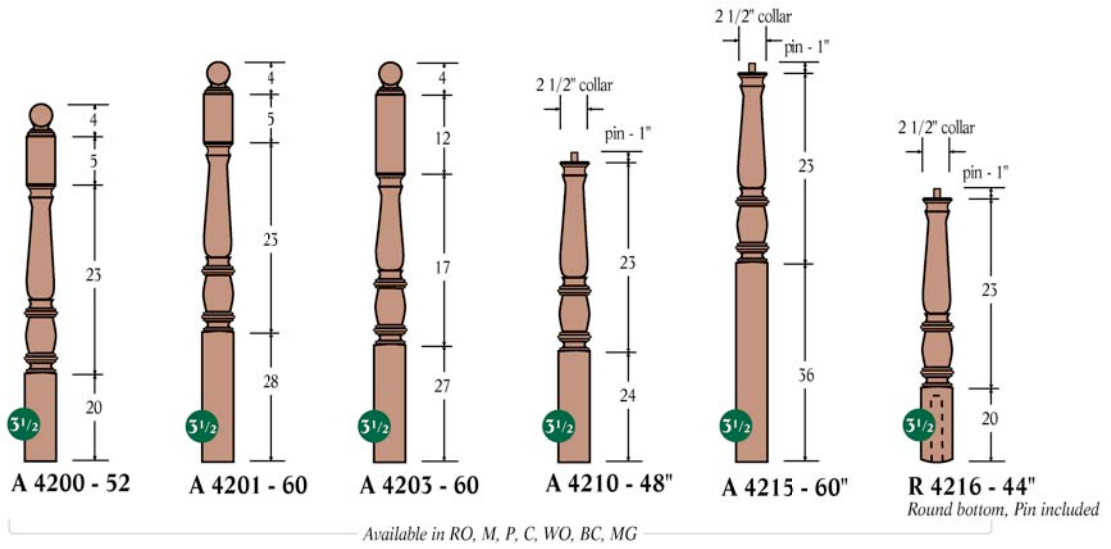
RO - Red Oak M - Maple P - Poplar
 P2 - Primed C - American Cherry WO - White Oak
 BC - Brazilian Cherry MG - Mahogany



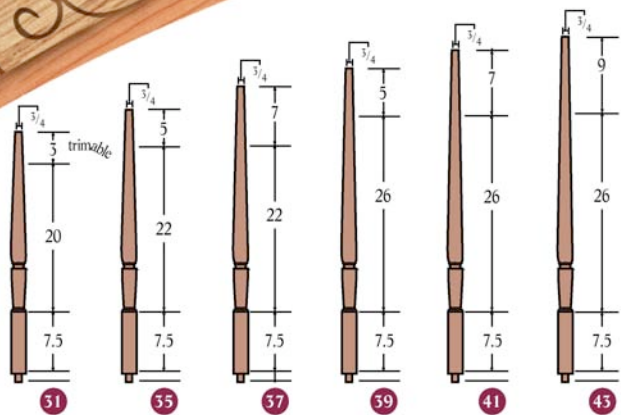
R 5315 R-1 3/4"
 Round bottom

O 5315 R-1 3/4"
 Square bottom, Octagon

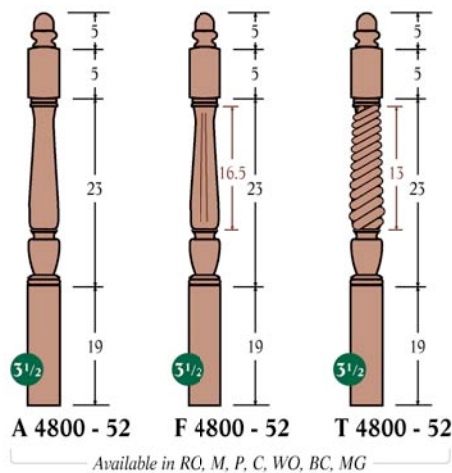
Available in RO, M, P, P2, C, WO, BC, MG



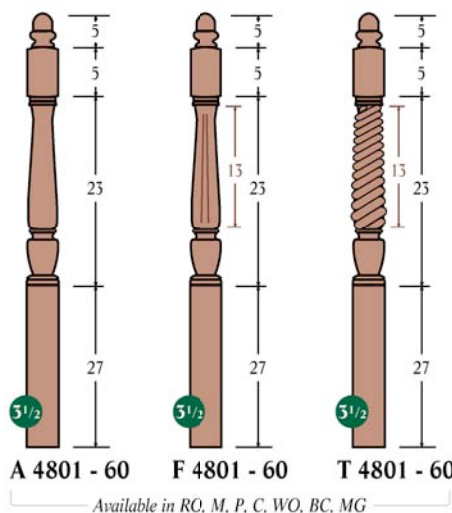
Classic Series



A 5215 R - 1 3/4"
 Square bottom
 Available in RO, M, P, P2, C, WO, BC, MG

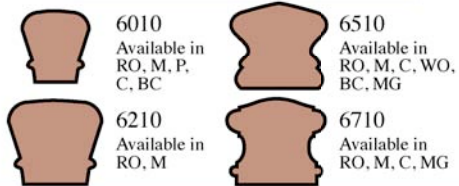


A 4800 - 52 F 4800 - 52 T 4800 - 52
 Available in RO, M, P, C, WO, BC, MG

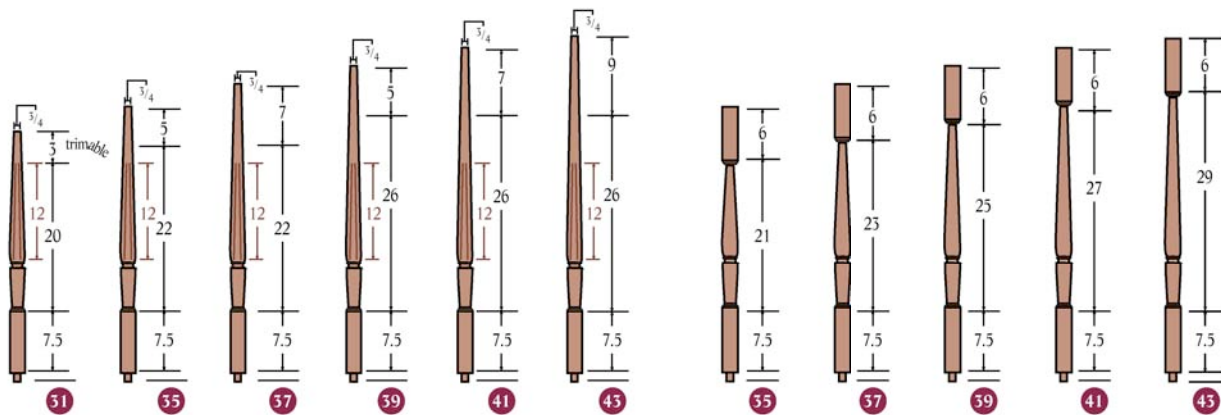


A 4801 - 60 F 4801 - 60 T 4801 - 60
 Available in RO, M, P, C, WO, BC, MG

Handrail Profile Choices

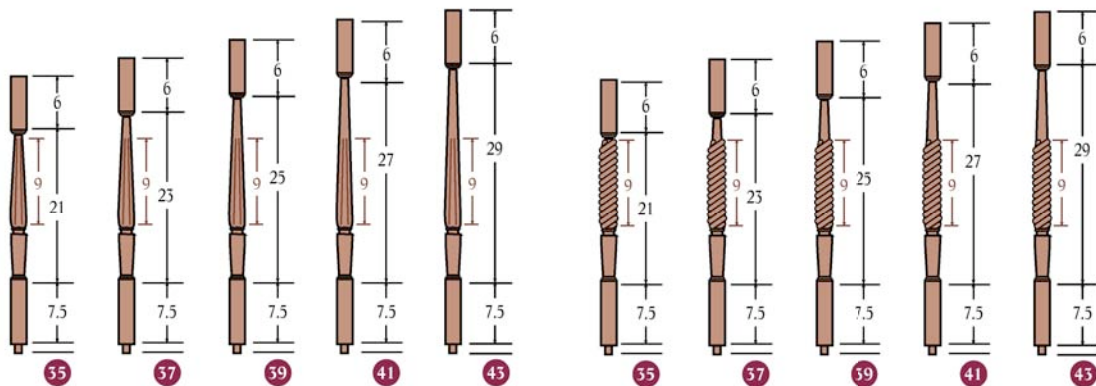


RO - Red Oak M - Maple P - Poplar
 P2 - Primed C - American Cherry WO - White Oak
 BC - Brazilian Cherry MG - Mahogany



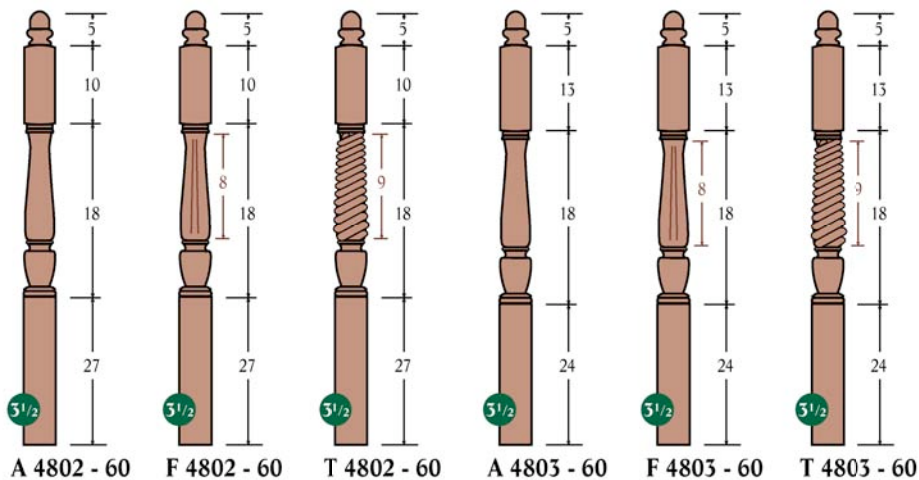
F 5215 R - 1³/₄"
 Square bottom, Fluted
 Available in RO, M, P, P2, C, WO, BC, MG

A 5225 S - 1³/₄"
 Square bottom
 Available in RO, M, P, P2, C, WO, BC, MG



F 5225 S - 1³/₄"
 Square bottom, Fluted
 Available in RO, M, P, P2, C, WO, BC, MG

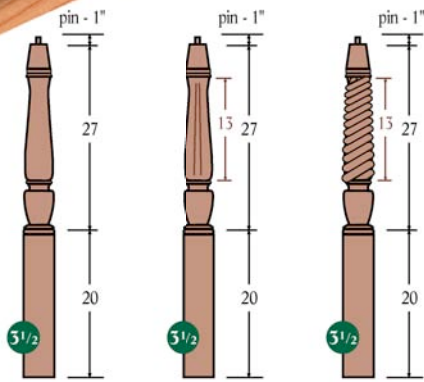
T 5225 S - 1³/₄"
 Square bottom, Twist
 Available in RO, M, P, P2, C, WO, BC, MG



A 4802 - 60 F 4802 - 60 T 4802 - 60 A 4803 - 60 F 4803 - 60 T 4803 - 60

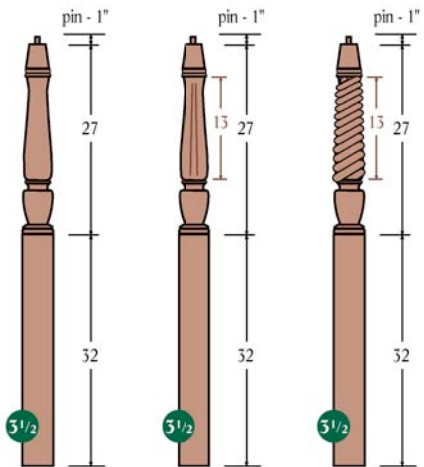
Available in RO, M, P, C, WO, BC, MG

Classic Series



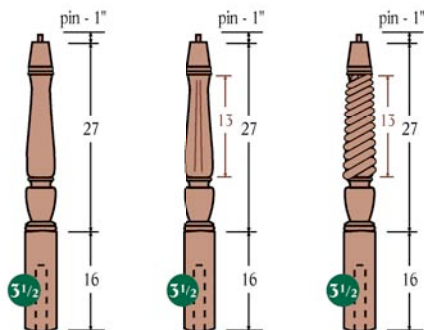
A 4810 - 48" F 4810 - 48" T 4810 - 48"

Available in RO, M, P, C, WO, BC, MG



A 4815 - 60" F 4815 - 60" T 4815 - 60"

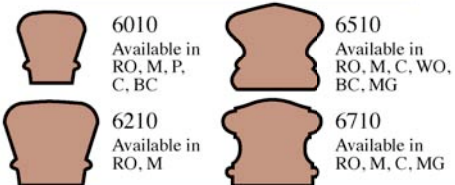
Available in RO, M, P, C, WO, BC, MG



R 4816 - 44" F 4816 - 44" T 4816 - 44"

Available in RO, M, P, C, WO, BC, MG
Round bottom, Pin included

Handrail Profile Choices



RO - Red Oak M - Maple P - Poplar
P2 - Primed C - American Cherry WO - White Oak
BC - Brazilian Cherry MG - Mahogany



Designer Series



Handrail Profile Choices



6010
Available in
RO, M, P,
C, BC



6510
Available in
RO, M, C, WO,
BC, MG



6210
Available in
RO, M



6710
Available in
RO, M, C, MG

RO - Red Oak

M - Maple

P - Poplar

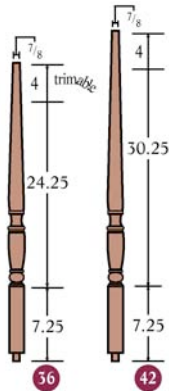
P2 - Primed

C - American Cherry

WO - White Oak

BC - Brazilian Cherry

MG - Mahogany

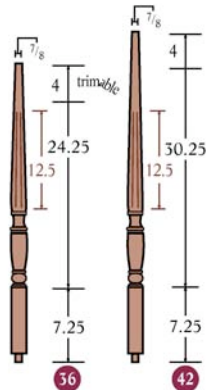


A 5415 R - 1 3/4"

Square bottom

Available in
RO, M, P, P2, C, WO, BC, MG

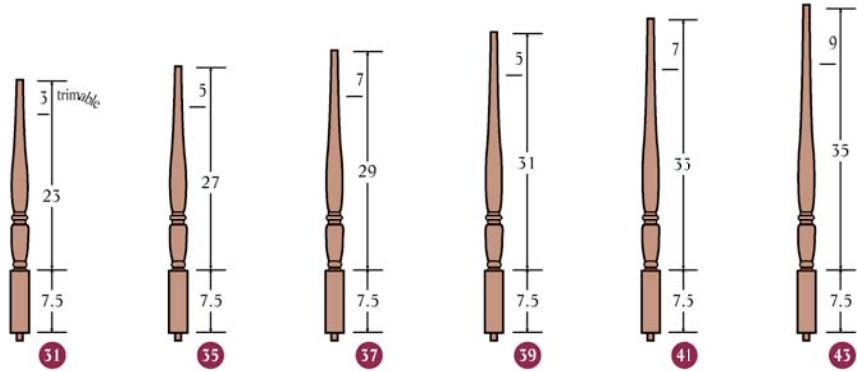
Bottom pin is 7/8" in diameter and 1/2" long



F 5415 R - 1 3/4"

Square bottom

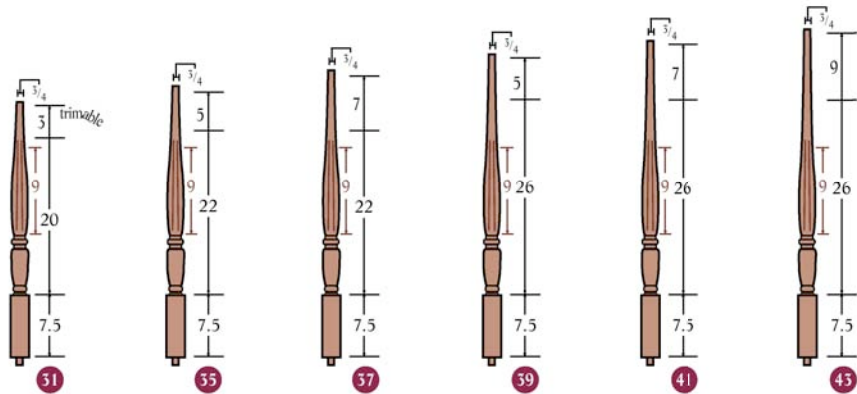
Available in
RO, M, P, P2, C, WO, BC, MG



A 5515 R - 1³/₄"

Square bottom

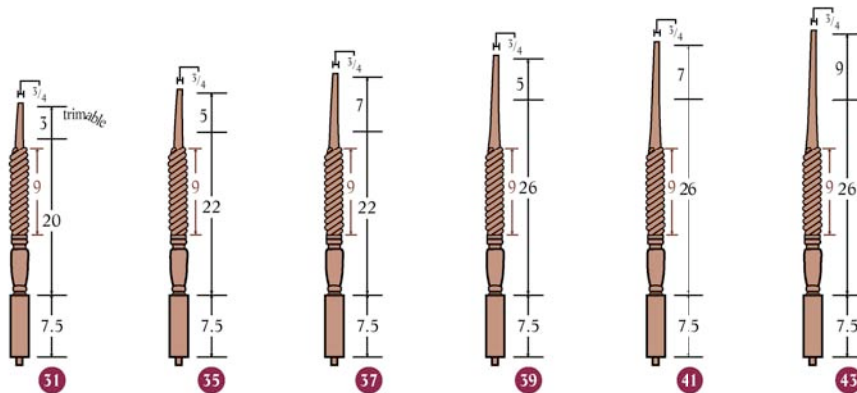
Available in RO, M, P, P2, C, WO, BC, MG



F 5515 R - 1³/₄"

Square bottom

Available in RO, M, P, P2, C, WO, BC, MG



T 5515 R - 1³/₄"

Square bottom

Available in RO, M, P, P2, C, WO, BC, MG

Designer Series



RO - Red Oak

P2 - Primed

BC - Brazilian Cherry

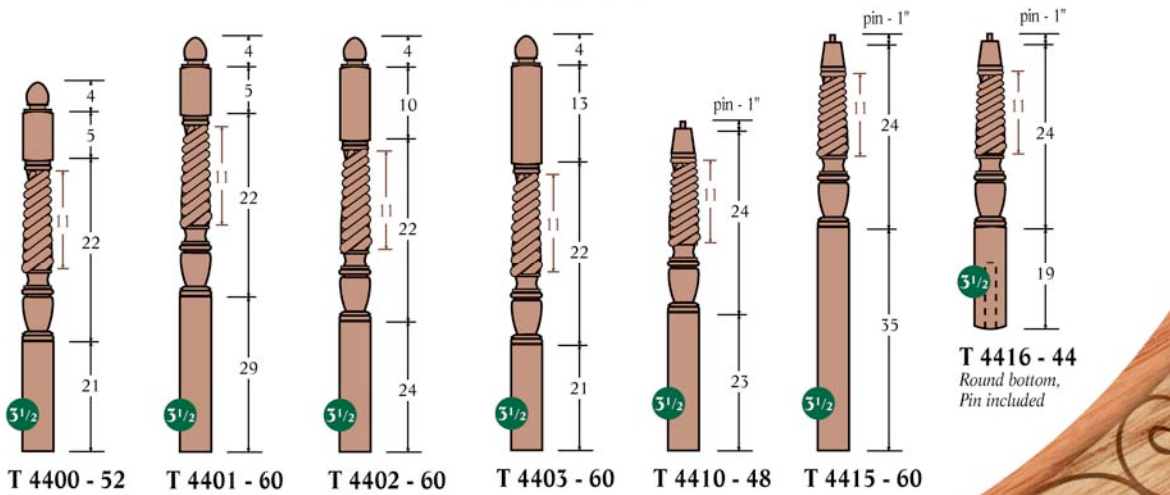
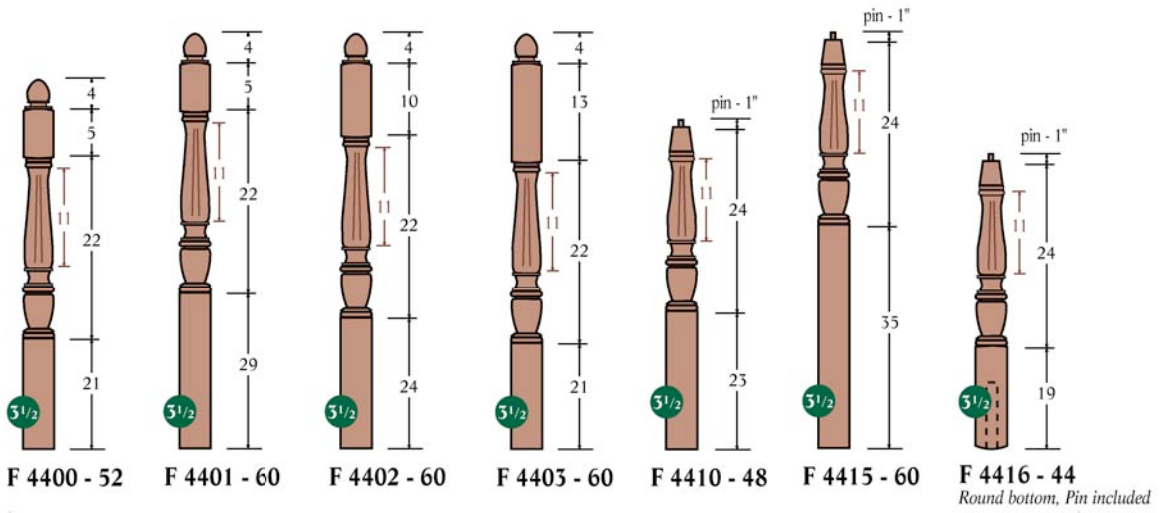
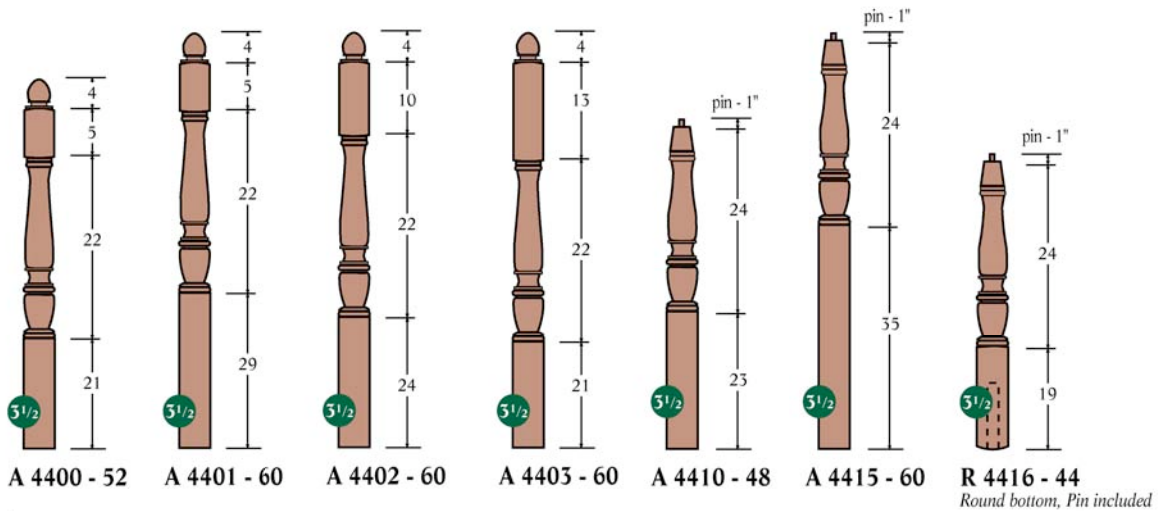
M - Maple

C - American Cherry

MG - Mahogany

P - Poplar

WO - White Oak



Hampton Series



Handrail Profile Choices



6010
Available in
RO, M, P,
C, BC



6510
Available in
RO, M, C, WO,
BC, MG



6210
Available in
RO, M



6710
Available in
RO, M, C, MG

RO - Red Oak

M - Maple

P - Poplar

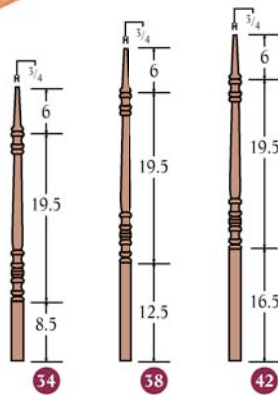
P2 - Primed

C - American Cherry

WO - White Oak

BC - Brazilian Cherry

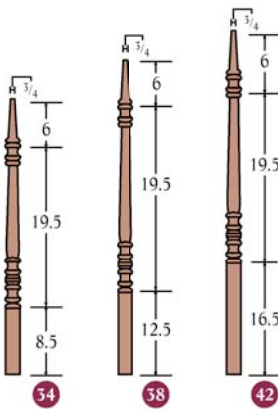
MG - Mahogany



A 5200 R - 1 1/4"

Square bottom

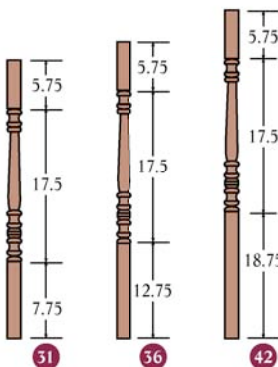
Available in RO, M, P, P2, C



A 5611 R - 1 3/4"

Square bottom

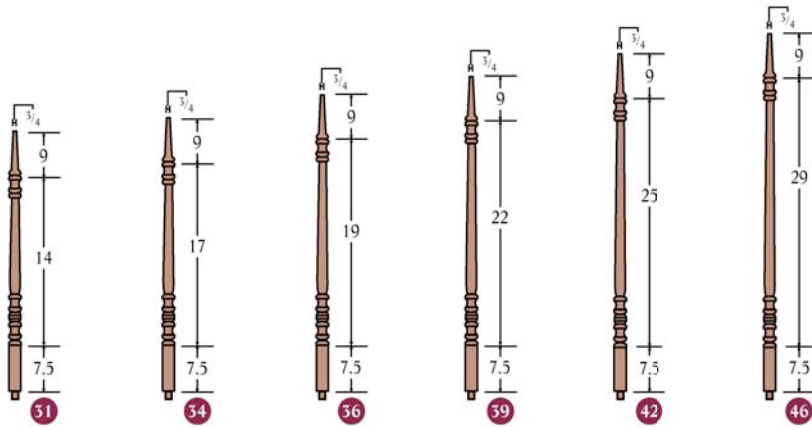
Available in RO, M, P, P2, C, WO, BC, MG



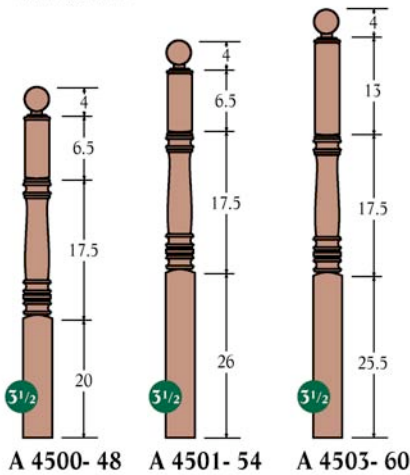
A 5005 S - 1 3/4"

Square bottom, Square top

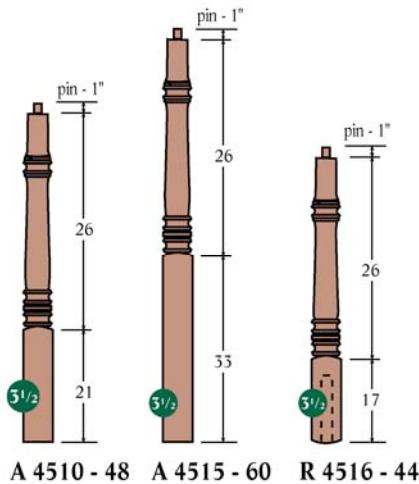
Available in RO, M, P, P2, C, WO, BC, MG



A 5300 R - 1 3/4"
 Square bottom
 Available in P2



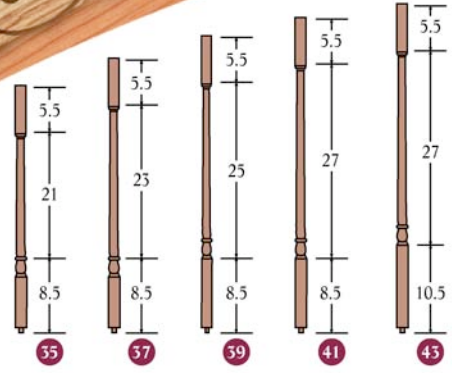
A 4500- 48 A 4501- 54 A 4503- 60
 Available in RO, M, P, C, WO, BC, MG



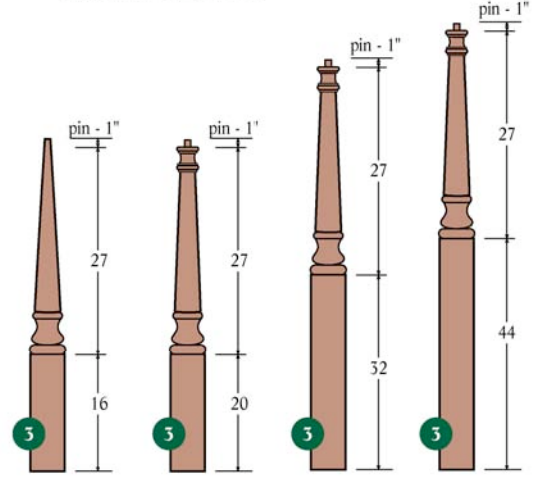
A 4510 - 48 A 4515 - 60 R 4516 - 44
 Round bottom,
 Pin included
 Available in RO, M, P, C, WO, BC, MG



Traditional Series

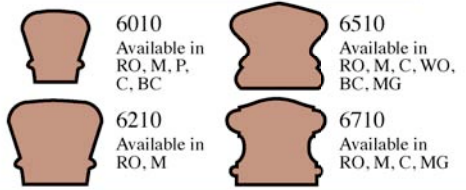


A 5070 S - 1 1/4"
 Square top
 Available in RO, M, P, P2, C

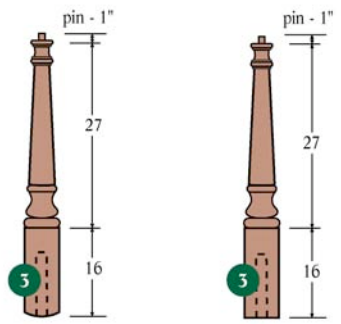


4010 BP-45 A 4010 - 48 A 4015-60 A 4015-72
 Available in RO, M, P, C, WO, BC, MG

Handrail Profile Choices

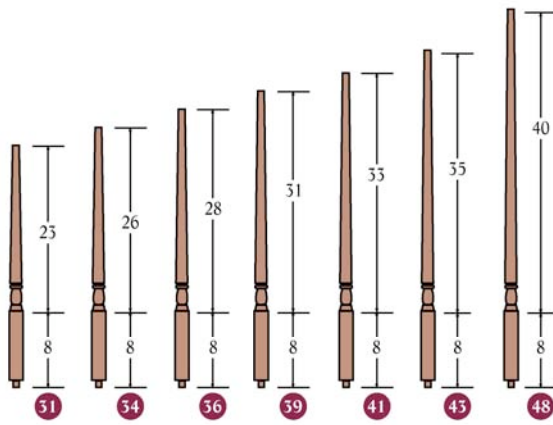


RO - Red Oak M - Maple P - Poplar
 P2 - Primed C - American Cherry WO - White Oak
 BC - Brazilian Cherry MG - Mahogany

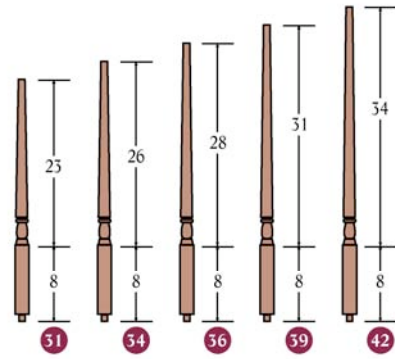


R 4016 - 44 S 4016 - 44
 Round bottom, Pin included Square bottom, Pin included

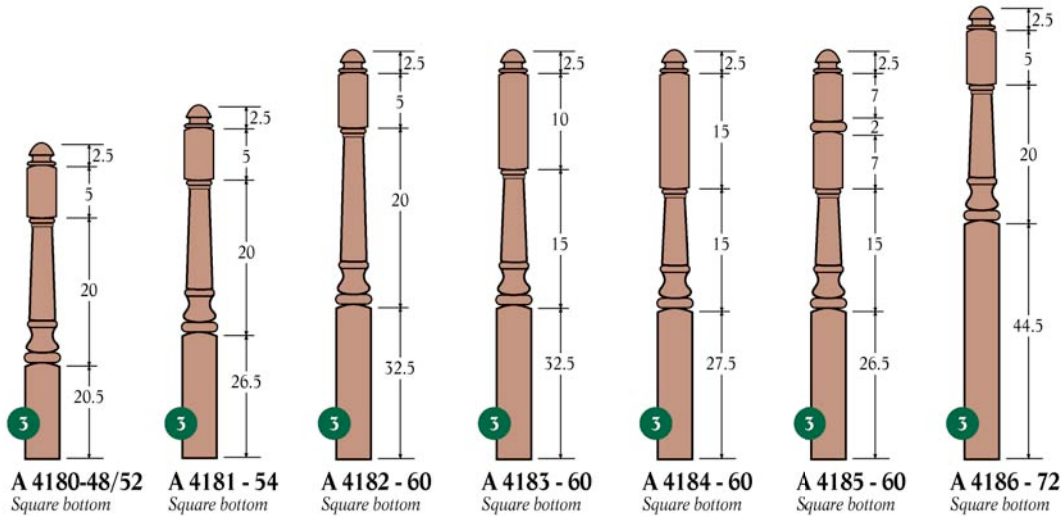
Available in RO, M, P, C, WO, BC, MG



A5015C - 1 1/4" - 5/8" top
Available in RO, M, P, P2, C



A5015S - 1 1/4" - 3/4" top
Available in RO, M, F, P2, C



A 4180-48/52
Square bottom

A 4181 - 54
Square bottom

A 4182 - 60
Square bottom

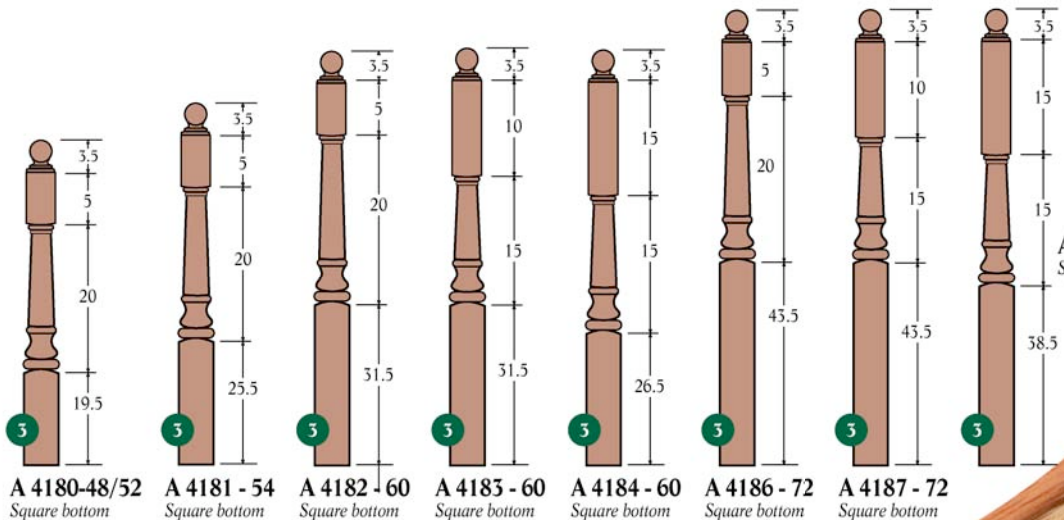
A 4183 - 60
Square bottom

A 4184 - 60
Square bottom

A 4185 - 60
Square bottom

A 4186 - 72
Square bottom

Available in RO, M, P, C, WO, BC, MG



A 4180-48/52
Square bottom

A 4181 - 54
Square bottom

A 4182 - 60
Square bottom

A 4183 - 60
Square bottom

A 4184 - 60
Square bottom

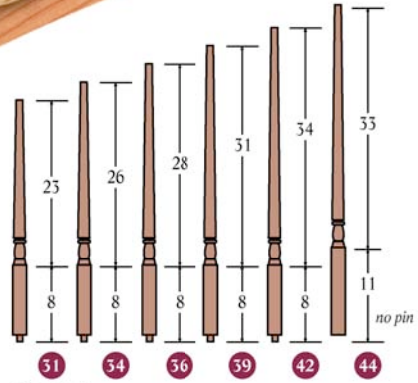
A 4186 - 72
Square bottom

A 4187 - 72
Square bottom

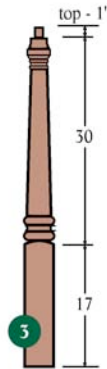
A 4188 - 72
Square bottom

Available in RO, M, P, C, WO, BC, MG

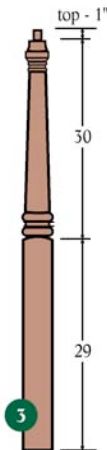
Traditional Series



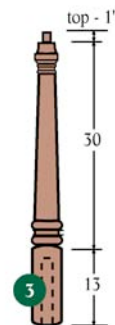
A5015B - 1 1/8" - 5/8" top
Available in RO



A 4060 - 48
Available in RO, M, P, C, WO, BC, MG



A 4065 - 60



R 4066 - 44

Round bottom, Pin included

Available in RO, M, P, C, WO, BC, MG

Handrail Profile Choices



6010
Available in
RO, M, P,
C, BC



6510
Available in
RO, M, C, WO,
BC, MG



6210
Available in
RO, M



6710
Available in
RO, M, C, MG

RO - Red Oak

M - Maple

P - Poplar

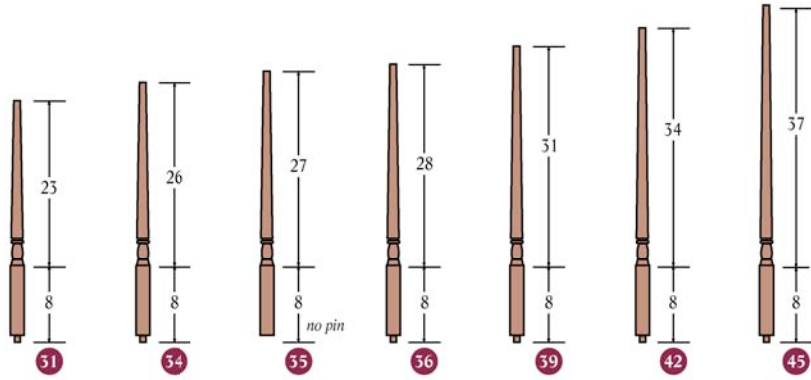
P2 - Primed

C - American Cherry

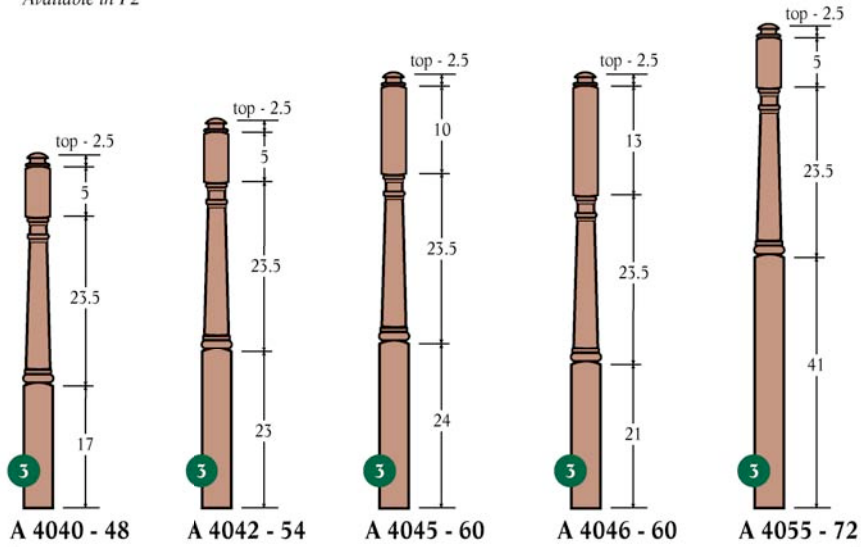
WO - White Oak

BC - Brazilian Cherry

MG - Mahogany



A5015L - 1 1/4" - 5/8" top
Available in P2



A 4040 - 48

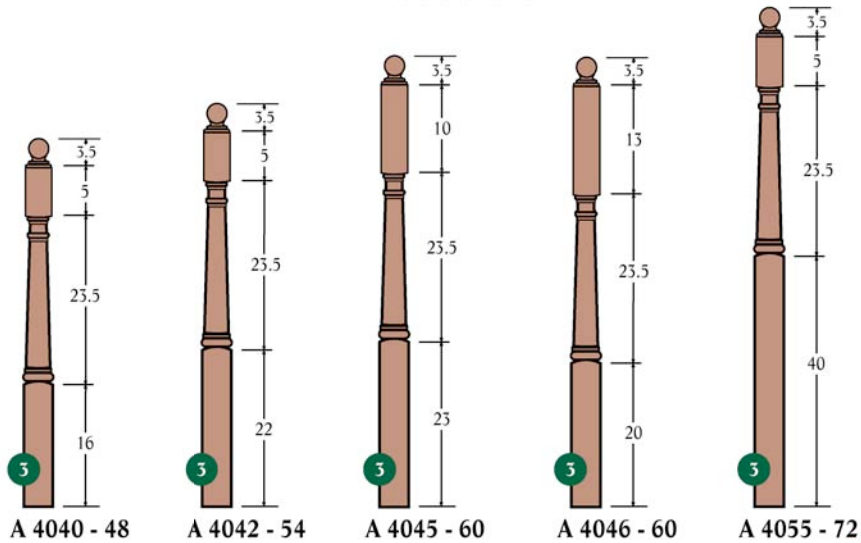
A 4042 - 54

A 4045 - 60

A 4046 - 60

A 4055 - 72

Available in RO, M, P, C, WO, BC, MG



A 4040 - 48

A 4042 - 54

A 4045 - 60

A 4046 - 60

A 4055 - 72

Available in RO, M, P, C, WO, BC, MG

IDEAL
stair parts



18

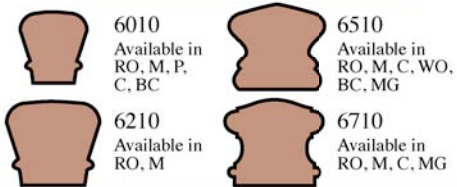
IDEAL
stair parts



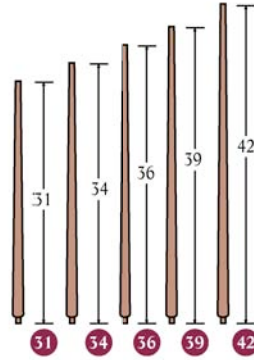
Contemporary Series



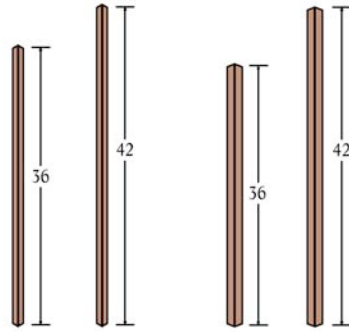
Handrail Profile Choices



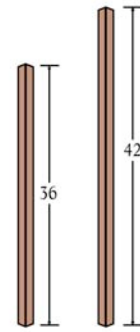
RO - Red Oak M - Maple P - Poplar
 P2 - Primed C - American Cherry WO - White Oak
 BC - Brazilian Cherry MG - Mahogany



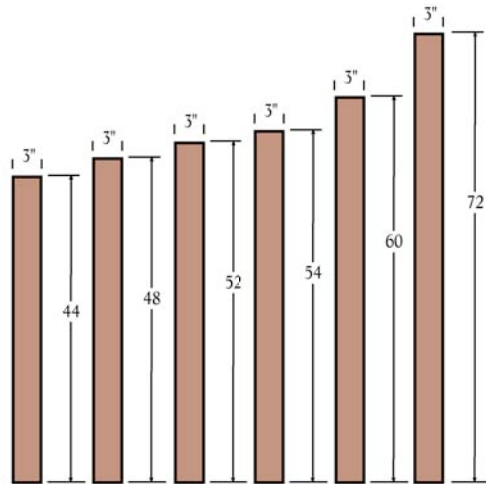
A 5040 - 1 1/8" finished
 5/8" top, Standard
 Available in RO, M, P, P2, C



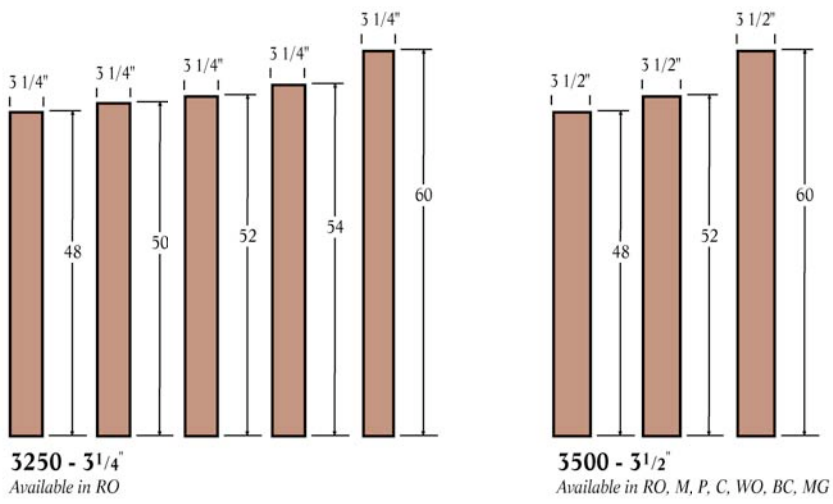
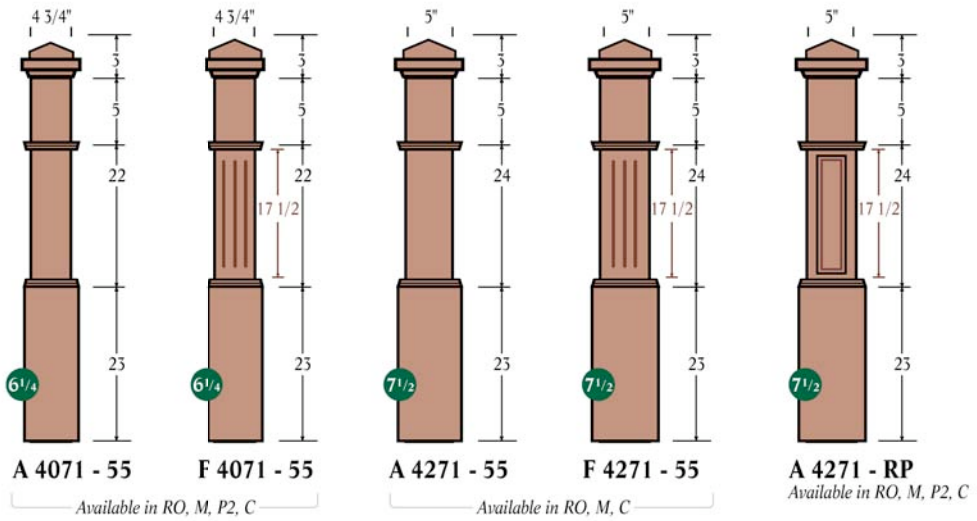
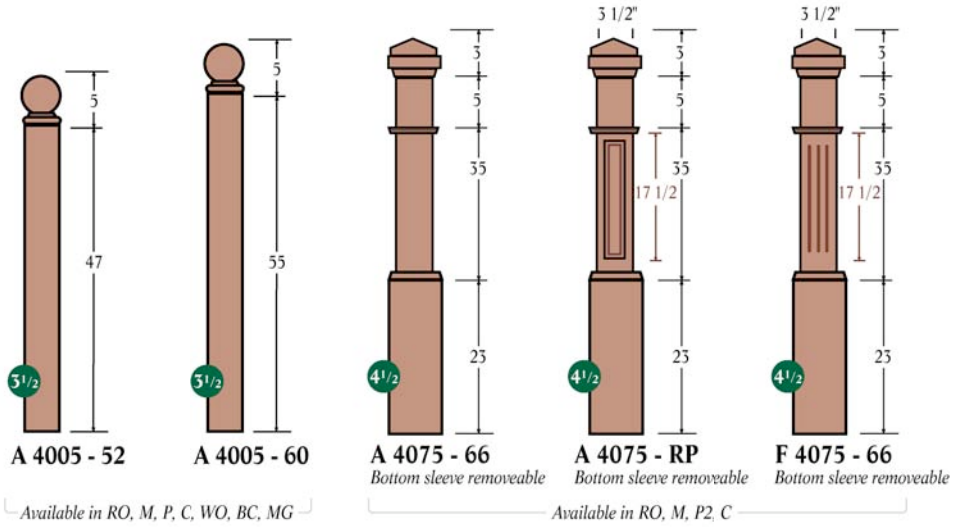
A 5060 - 1 1/4"
 Available in
 RO, M, P, P2, C



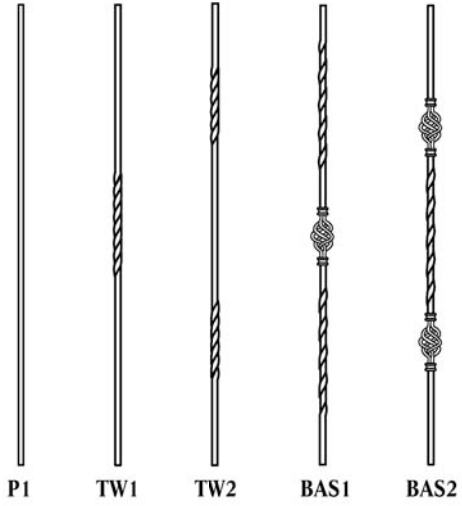
A 5360 - 1 3/4"
 Available in
 RO, M, P, P2, C, WO, BC, MG



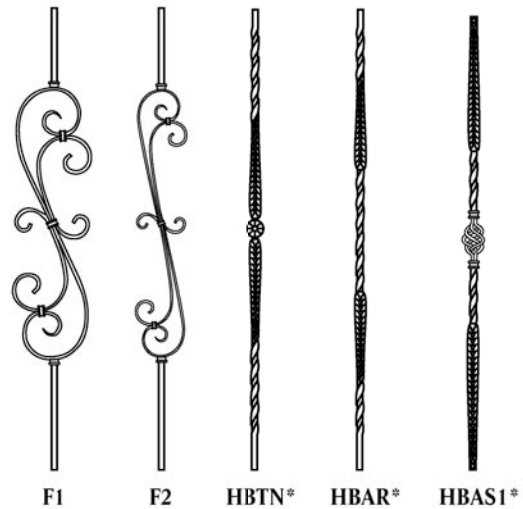
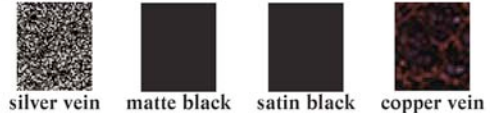
5000 - 3"
 Available in RO, M, P, C, WO, EC, MG



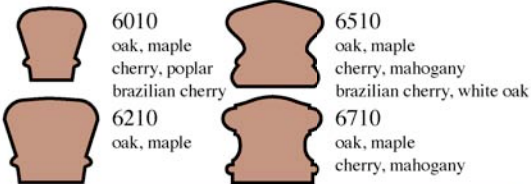
Wrought Iron Series



Finishes Available



Handrail Profile Choices



SH01

Shoe for 1/2" x 1/2" balusters with set screw

HSH01 - 9/16



SH02

Angle/rake shoe with set screw

HSH02 - 9/16



AK01

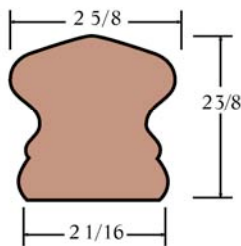
Adjustable knuckle with set screw for 1/2" balusters



*not available in matte black

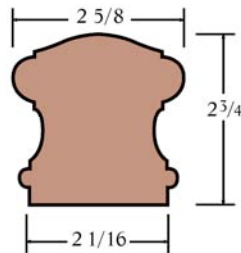


Hand Rail Choices



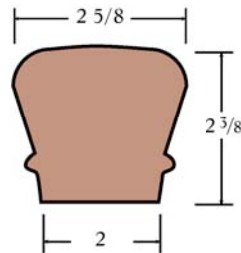
6510 E

12'-16' may have one seam joint in top ply
Oak, Maple, Cherry, Mahogany, White Oak, Brazilian Cherry



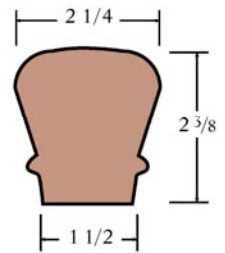
6710 E

12'-16' may have one seam joint in top ply
Oak, Maple, Cherry, Mahogany



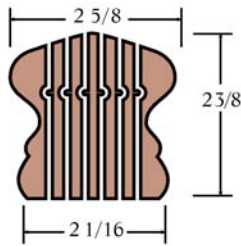
6210 E

12', 14' & 16' with one seam joint in top cap
Oak, Maple



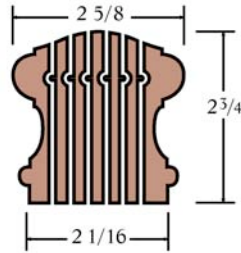
6010 E

12', 14', 16' with one seam joint in top cap
Oak, Maple, Cherry, Brazilian Cherry, Poplar



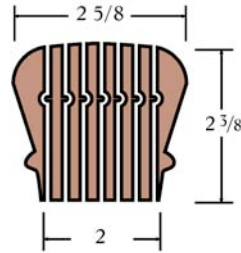
6510 B

Oak, Maple, Cherry, Mahogany, White Oak, Brazilian Cherry



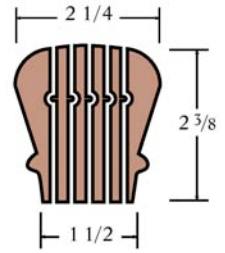
6710 B

Oak, Maple, Cherry, Mahogany



6210 B

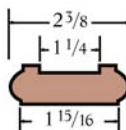
Oak, Maple



6010 B

Oak, Maple, Cherry, Brazilian Cherry

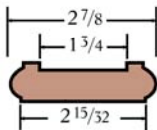
Shoe Rail



6045
1 1/4 x LF

oak, maple

Shoe Rail



6006
1 3/4 x LF

oak, maple

All Northern Red Oak Excellent Color Match

We will make every attempt to supply your specified hand rail lengths, but you may receive the next available length, and in those cases you will be charged for the length shipped.

Fillet



6055

1 1/4 x LF

oak, maple, poplar, cherry, white oak, brazilian cherry, mahogany

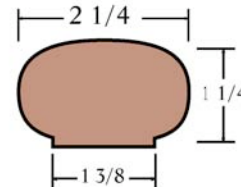
Fillet



6007

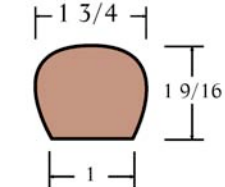
1 3/4 x LF

oak, maple, cherry, mahogany, white oak, brazilian cherry



6042

Oak



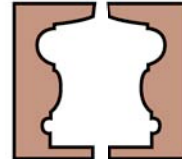
6040

Constructed with all plys containing fingerjoints 16' lengths only
Oak, Maple, Poplar



6510

pine, plastic molding



6710

pine, plastic molding



6010/6210

pine, plastic molding



Fittings

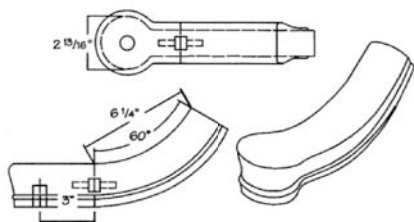
All Dimensions based on
7000 Series Fittings



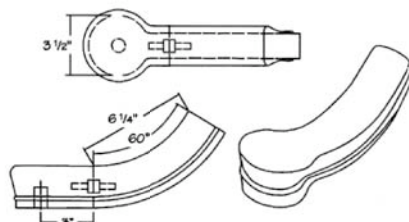
7008 - RO,M,C,BC
7208 - RO,M
7508 - RO,M,C
7708 - RO,M,C
Coped End



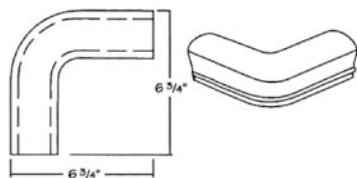
7009 - RO,M,C,BC
7209 - RO,M
7509 - RO,M,C,MG,BC,WO
7709 - RO,M,C,MG
Return End



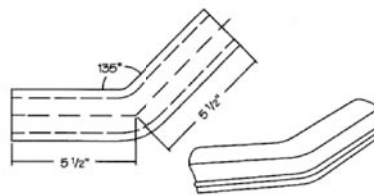
7010 - RO,M,C,BC **7510** - RO,M,C,MG,BC,WO
7210 - RO,M **7710** - RO,M,C,MG
Starting Easing w/Cap



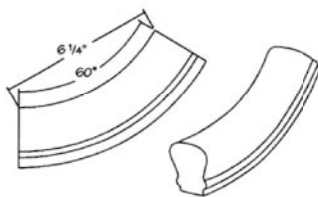
7010 LC
Oak
Starting Easing w/Large Cap



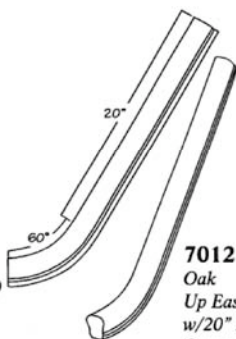
7011 - RO,M,C,BC **7511** - RO,M,C,MG,BC,WO
7211 - RO,M **7711** - RO,M,C,MG
Level Quarter Turn



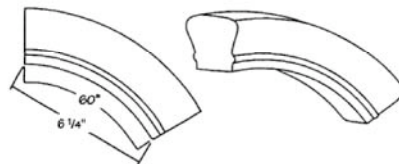
7011-135° - RO,M,C,BC **7511-135** - RO,M,C,MG,BC,WO
7211-135° - RO,M **7711-135** - RO,M,C,MG
Level Quarter Turn 135°



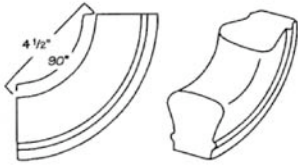
7012 - RO,M,C,BC **7512** - RO,M,C,MG,BC,WO
7212 - RO,M **7712** - RO,M,C,MG
Up Easing



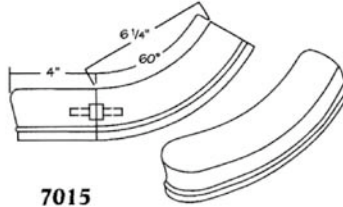
7012 L - 20"
Oak
Up Easing
w/20" Extension
One piece



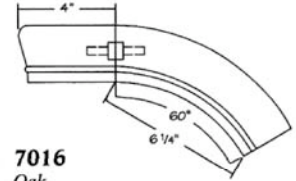
7013 - RO,M,C,BC **7513** - RO,M,C,MG,BC,WO
7213 - RO,M **7713** - RO,M,C,MG
Over Easing



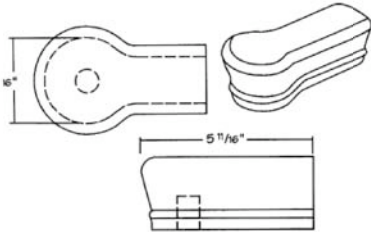
7014 - RO,M,C,BC **7514** - RO,M,C,MG,BC,WO
7214 - RO,M **7714** - RO,M,C,MG
 90° Up Easing



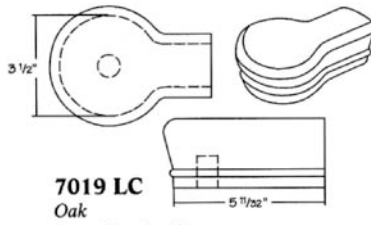
7015
 Oak
 Starting Easing w/Return End



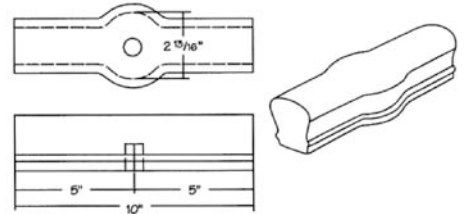
7016
 Oak
 Over Easing w/Return End



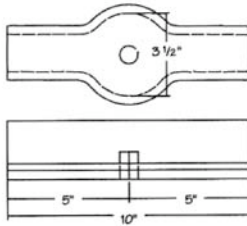
7019 - RO,M,C,BC **7519** - RO,M,C,MG,BC,WO
7219 - RO,M **7719** - RO,M,C,MG
 Opening Cap



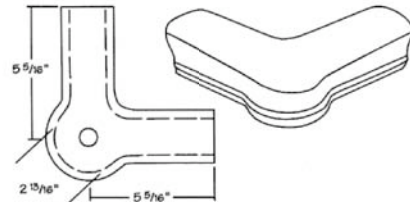
7019 LC
 Oak
 Large Opening Cap



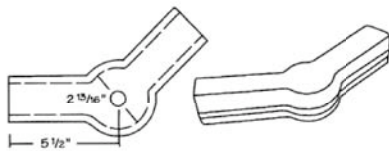
7020 - RO,M,C,BC **7520** - RO,M,C,MG,BC,WO
7220 - RO,M **7720** - RO,M,C,MG
 Tandem Cap



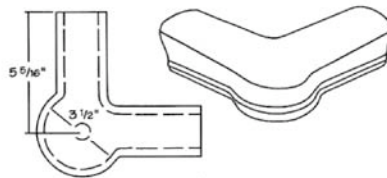
7020 LC
 Oak
 Large Tandem Cap



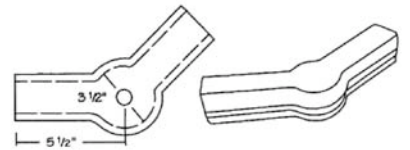
7021 - RO,M,C,BC **7521** - RO,M,C,MG,BC,WO
7221 - RO,M **7721** - RO,M,C,MG
 Level Quarter Turn w/Cap



7021-135 - RO,M,C,BC **7521-135** - RO,M,C,MG,BC,WO
7221-135 - RO,M **7721-135** - RO,M,C,MG
 Level Quarter Turn w/135° Cap



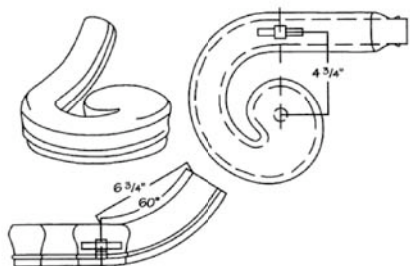
7021 LC
 Oak
 Level Quarter Turn w/Large Cap



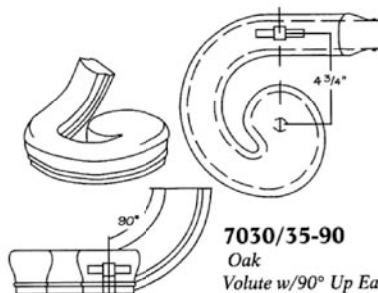
7021 LC-135 - Oak
 Level Quarter Turn w/135° Cap

Fittings

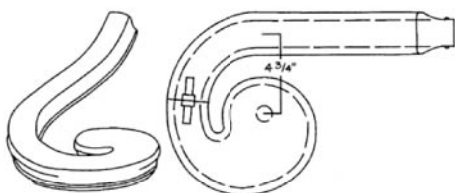
All Dimensions based on
7000 Series Fittings



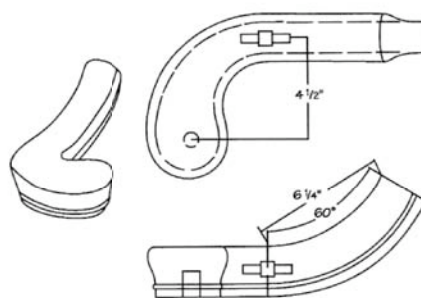
7030/35 - RO,M,C,BC **7530/35** - RO,M,C,MG,BC,WO
7230/35 - RO,M **7730/35** - RO,M,C,MG
 Left/Right Volute Left/Right



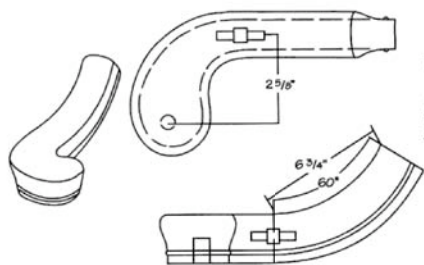
7030/35-90
 Oak
 Volute w/90° Up Easing
 Left/Right



7031/36 - RO,M,C **7531/36** - RO,M,C,MG
7231/36 - RO,M **7731/36** - RO,M,C,MG
 Left/Right Climbing Volute Left/Right

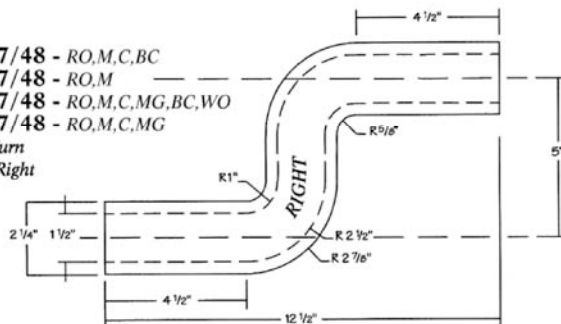


7040/45 - RO,M,C,BC **7540/45** - RO,M,C,MG,BC,WO
7240/45 - RO,M **7740/45** - RO,M,C,MG
 Left/Right Turnout Left/Right

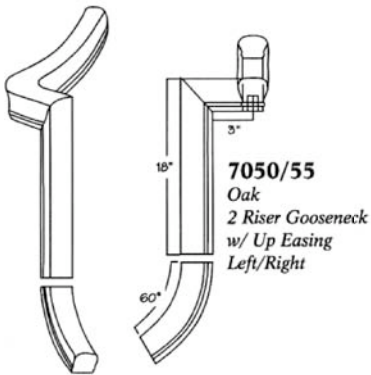


7041/46
 Oak
 Small Turnout
 Left/Right

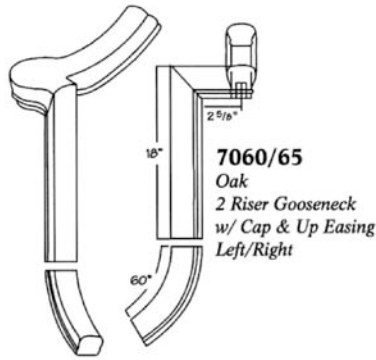
7047/48 - RO,M,C,BC
7247/48 - RO,M
7547/48 - RO,M,C,MG,BC,WO
7747/48 - RO,M,C,MG
 "S"-Turn
 Left/Right



RO - Red Oak M - Maple C - American Cherry
 WO - White Oak BC - Brazilian Cherry MG - Mahogany



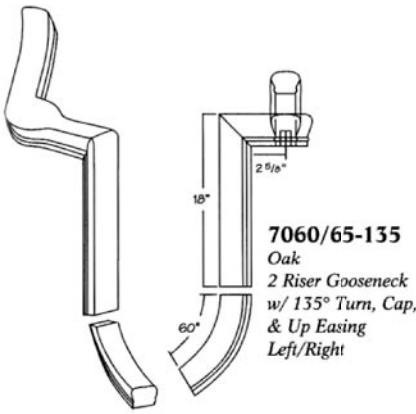
7050/55
Oak
2 Riser Gooseneck
w/ Up Easing
Left/Right



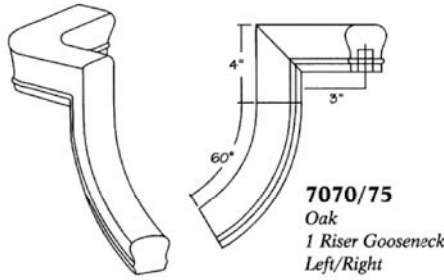
7060/65
Oak
2 Riser Gooseneck
w/ Cap & Up Easing
Left/Right



7060/65-24"
Oak
2 Riser Gooseneck
w/ Cap, 24" Drop,
& Up Easing
Left/Right



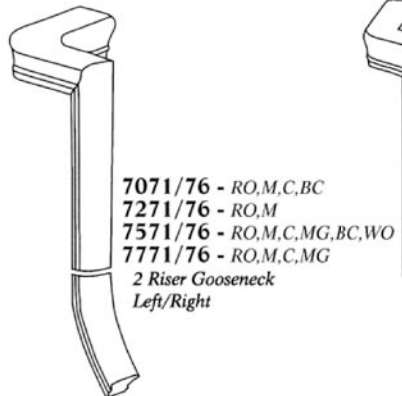
7060/65-135
Oak
2 Riser Gooseneck
w/ 135° Turn, Cap,
& Up Easing
Left/Right



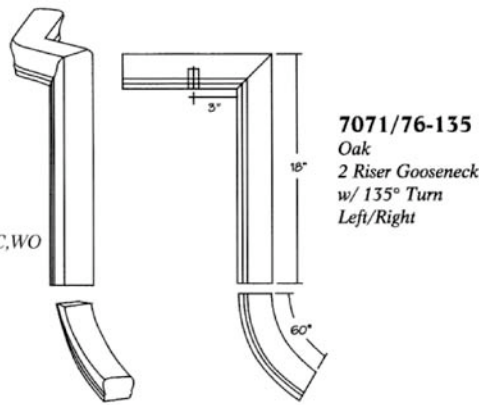
7070/75
Oak
1 Riser Gooseneck
Left/Right



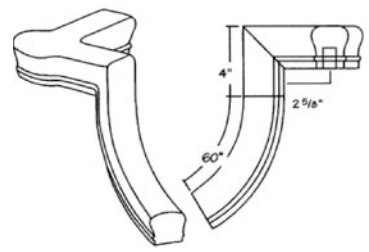
7070/75-135
Oak
1 Riser Gooseneck
w/ 135° Turn
Left/Right



7071/76 - RO,M,C,BC
7271/76 - RO,M
7571/76 - RO,M,C,MG,BC,WO
7771/76 - RO,M,C,MG
2 Riser Gooseneck
Left/Right



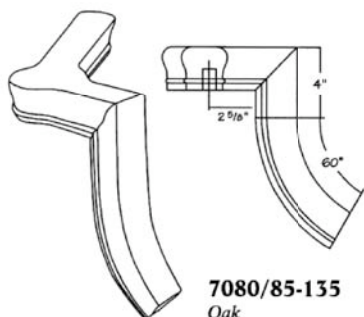
7071/76-135
Oak
2 Riser Gooseneck
w/ 135° Turn
Left/Right



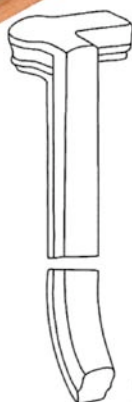
7080/85
Oak
1 Riser Gooseneck
w/Cap
Left/Right

Fittings

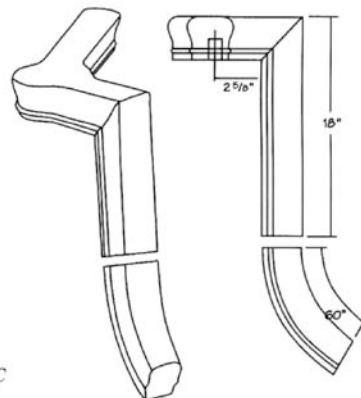
All Dimensions based on
7000 Series Fittings



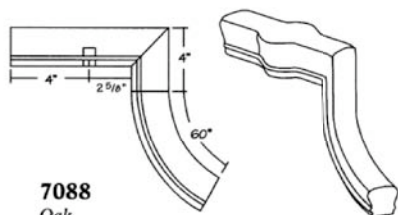
7080/85-135
Oak
1 Riser Gooseneck
w/135° Turn & Cap
Left/Right



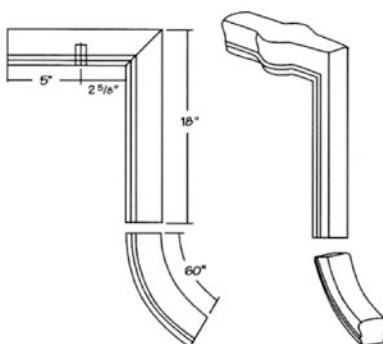
7081/86 - RO,M,C,BC
7281/86 - RO,M
7581/86 - RO,M,C,MG,BC,WO
7781/86 - RO,M,C,MG
2 Riser Gooseneck w/Cap
Left/Right



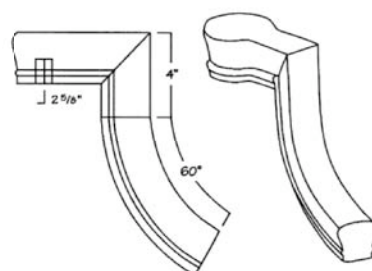
7081/86-135
Oak
2 Rise Gooseneck
w/135° Turn & Cap
Left/Right



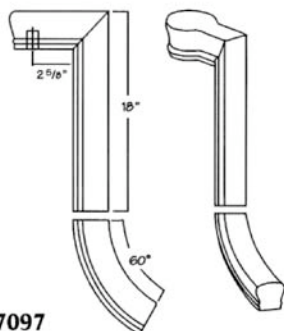
7088
Oak
1 Riser Gooseneck
w/Tandem Cap



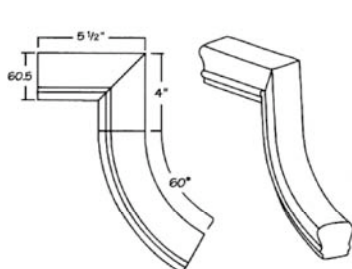
7089 - RO,M,C,BC **7589 - RO,M,C,MG,BC,WO**
7289 - RO,M **7789 - RO,M,C,MG**
2 Riser Gooseneck w/Tandem Cap



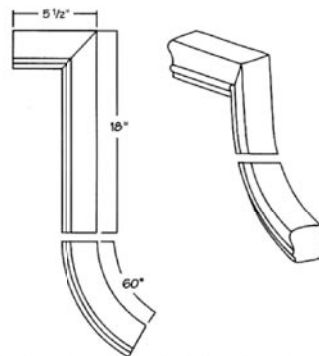
7096
Oak
1 Riser Gooseneck
w/Opening Cap



7097
Oak
2 Riser Gooseneck
w/Opening Cap



7098 - RO,M
Straight 1 Riser Gooseneck

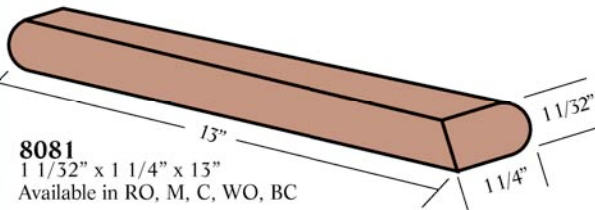


7099 - RO,M,C,BC **7599 - RO,M,C,MG,BC,WO**
7299 - RO,M **7799 - RO,M,C,MG**
Straight 2 Riser Gooseneck

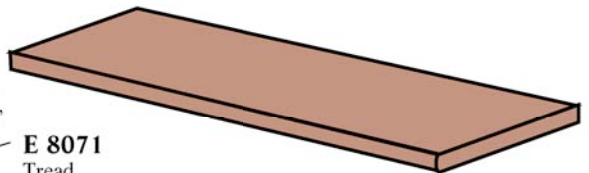


Stair Treads & Starting Steps

E - Engineered Treads: Superior Color and Stability

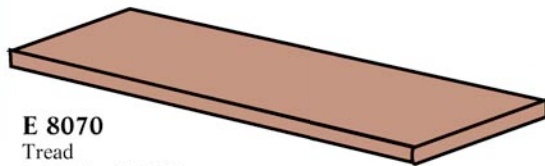


8081
1 1/32" x 1 1/4" x 13"
Available in RO, M, C, WO, BC

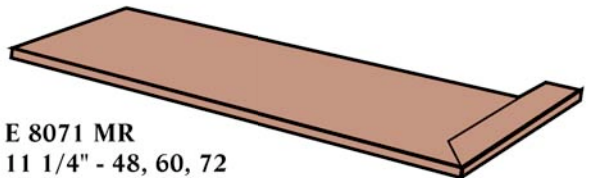


E 8071
Tread
1 1/32" x 11 1/4"
x 36, 42, 48, 54, 60, 72
Available in RO, M

(48 and 60 also available in C, WO, BC, MG)

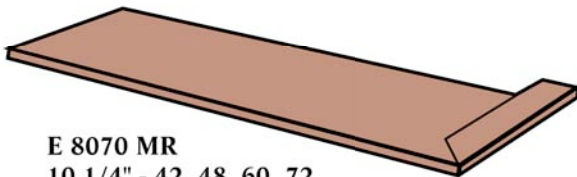


E 8070
Tread
1 1/32" x 10 1/4"
x 36, 42, 48, 54, 60, 72
Available in RO



E 8071 MR
11 1/4" - 48, 60, 72
Mitered Return Tread
Available in RO, M, C

(48 and 60 also available in WO, BC, MG)

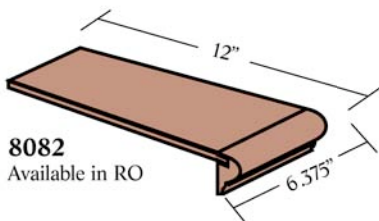


E 8070 MR
10 1/4" - 42, 48, 60, 72
Mitered Return Tread
Available in RO



E 8075
Riser
3/4" x 8 1/4"
x 36, 42, 48, 60, 72
Available in RO, M, P2

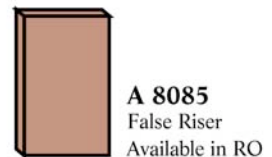
(48 and 60 also available in C, WO, BC, MG)



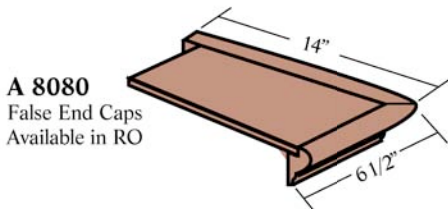
8082
Available in RO



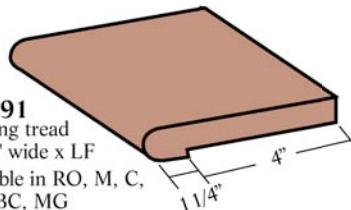
A 8090
Landing tread
3 1/2" wide x LF
Available in RO, M, C,
WO, BC, MG



A 8085
False Riser
Available in RO



A 8080
False End Caps
Available in RO



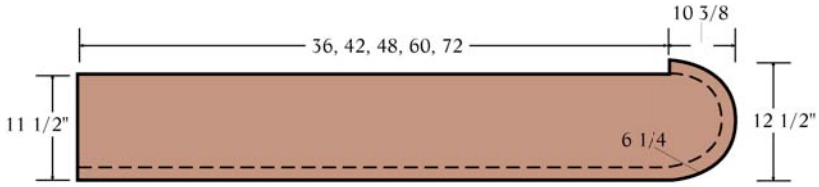
A 8091
Landing tread
5 1/4" wide x LF
Available in RO, M, C,
WO, BC, MG



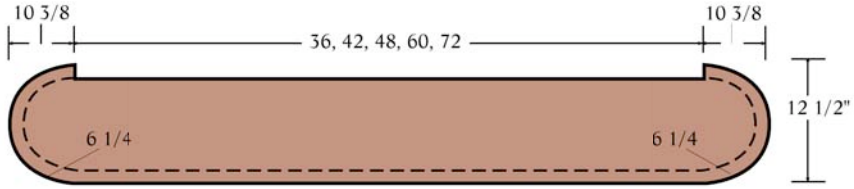
A 8095
Cove Mould
3/4" x 3/4" x LF
Available in RO, M, C,
WO, BC, MG



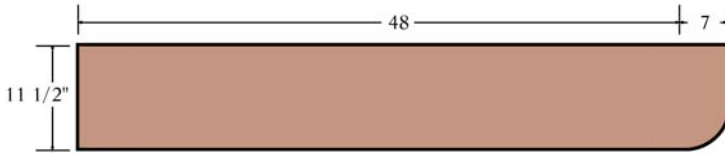
3 1/2" and 5 1/2"
Oak Plate



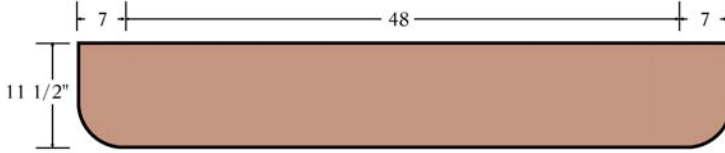
A 8010 R/L
 Reversible starting step
 Oak, Oak with primed riser 48" only



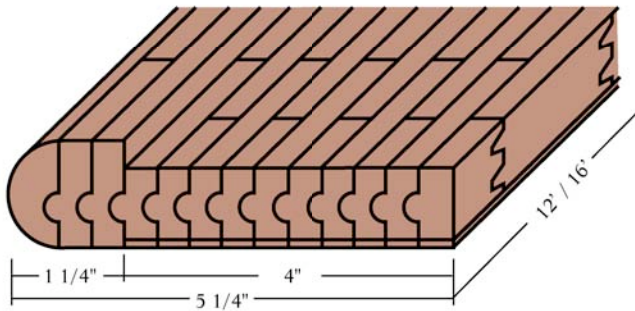
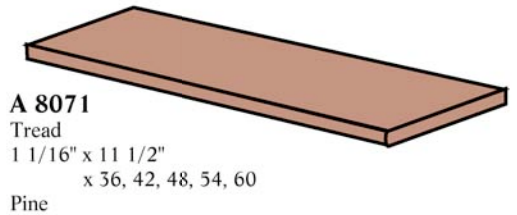
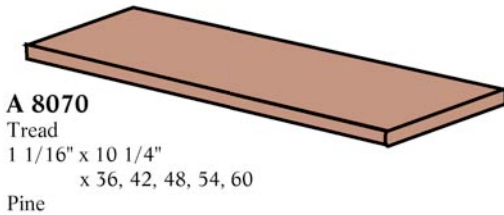
A 8015
 Double starting step
 Oak, Oak with primed riser 48" only



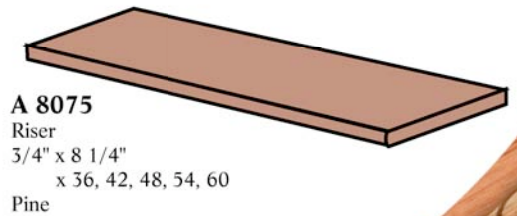
A 8040
 Oak



A 8060
 Oak

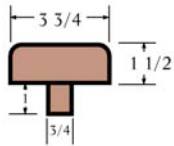


8091B
 Bending
 Oak

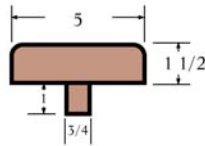


*Double return treads available

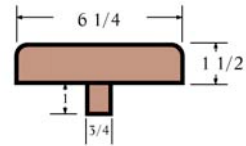
Accessories



4075CAP

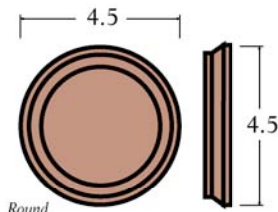


4071CAP



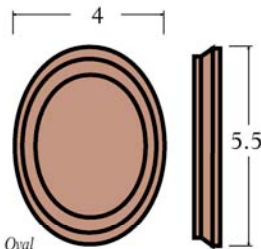
4271CAP

Available in RO, M, C, P2



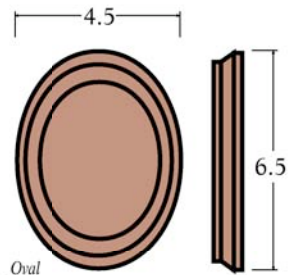
Round Rosette **7017**

Available in RO, M



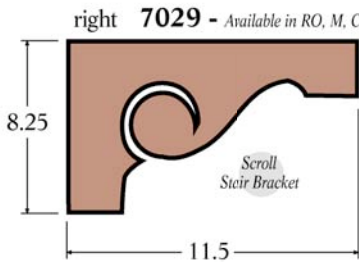
Oval Rosette **7037**

Available in RO, M, P

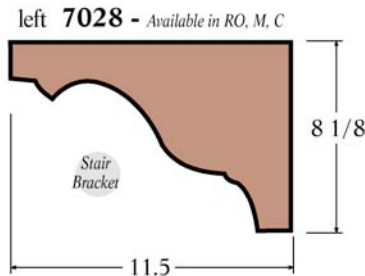


Oval Rosette **7237**

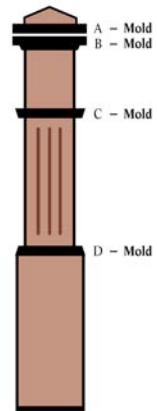
Available in RO, M, C, WO, BC, MG



right **7029** - Available in RO, M, C



left **7028** - Available in RO, M, C



A - Mold

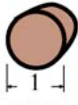
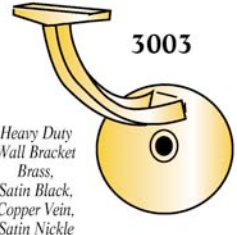
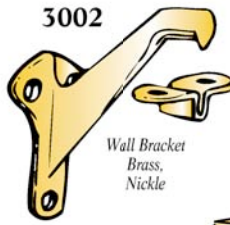
B - Mold

C - Mold

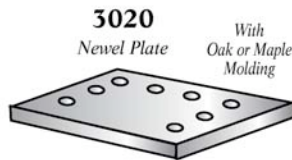
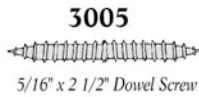
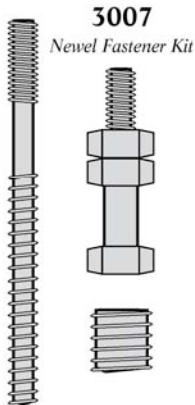
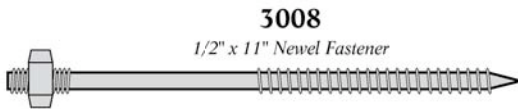
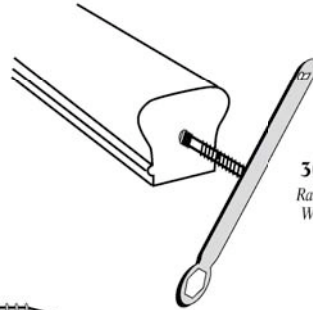
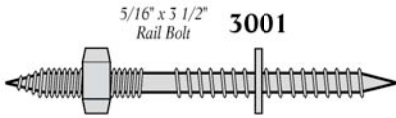
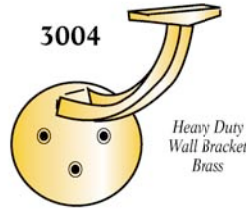
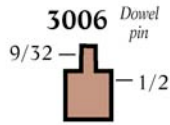
D - Mold



Newel Drop

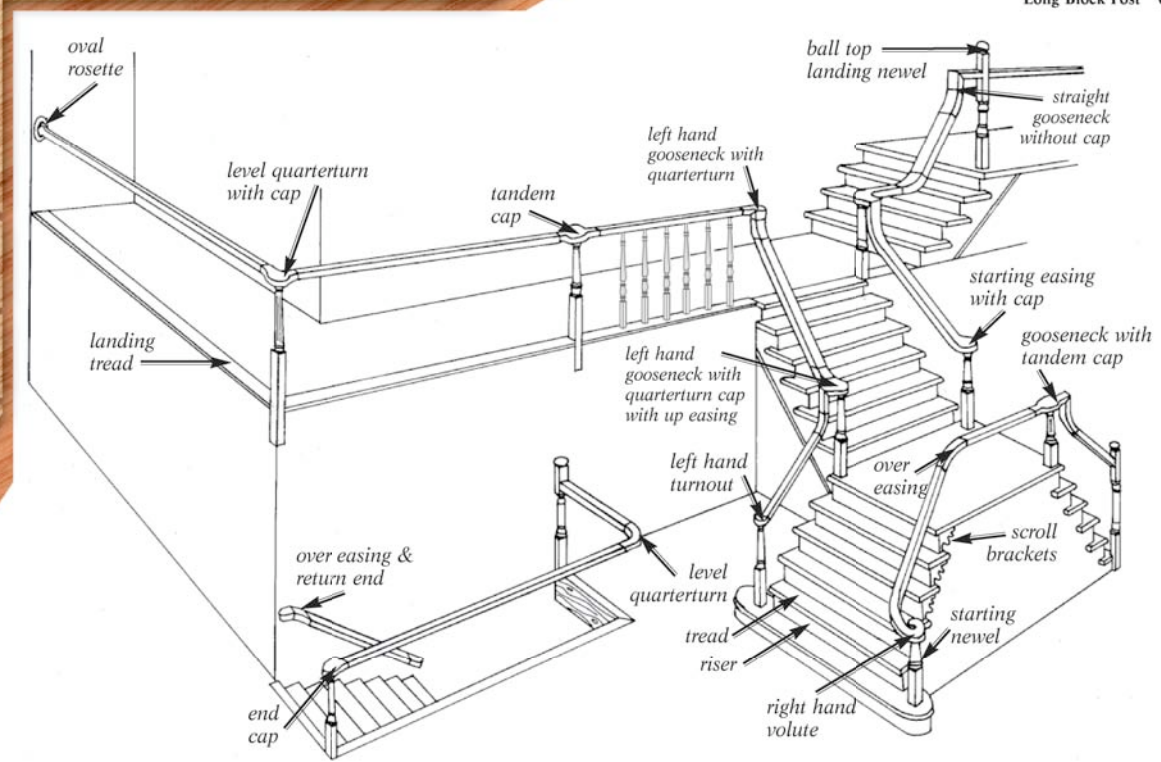
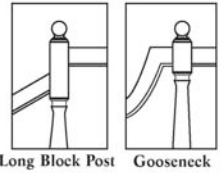


3000
Tapered
Rail Plug
Available in RO, M, C



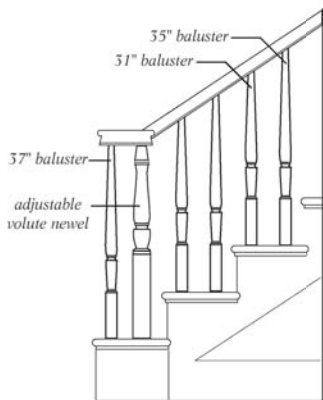
Stair Parts Guide

Traditional Applications

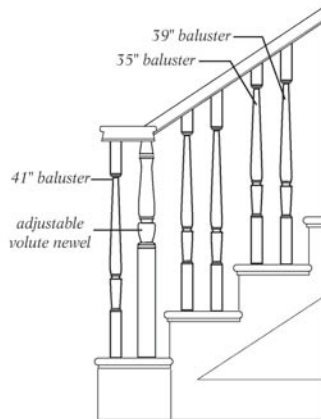


Recommended Baluster Lengths for Various Rake Handrail Heights

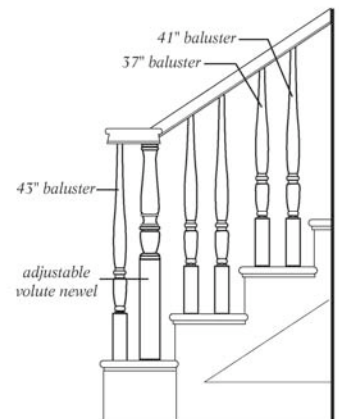
30" Handrail Height



34" Handrail Height



36" Handrail Height



Based on a rise of 7 1/2" and a run of 10"

**POLICIES:**

Ideal Stair Parts shall not be responsible for improper use or misuse of its products and offers no warranty for safety or performance. Ideal Stair Parts conditionally guarantees its products to be free from defective material and/or workmanship within its control for a period of one year. All stair parts are for interior use only. Rotate inventory to reduce exposure and care should be used in storing these products. Installation of these stair parts should be made from a qualified installer according to local or appropriate building codes. These codes should be strictly observed and use only the best and safest practices when installing these stair parts.

TERMS:

1% 10 Days, Net 15 Days.

A 2% per month finance charge will be applied to all past due balances.

Send payments to: Ideal Stair Parts

225 West Main Street • Little Falls, NY 13365

PRICES:

All prices are subject to change without notice.

SHIPMENTS:

All orders will be processed for shipment from our warehouses. F.O.B. Little Falls, New York or Taneytown, Maryland. All claims on apparent or concealed shipping damage should be reported to the freight line for settlement of claim.

RETURNS:

- Standard items may be returned only with prior approval by Ideal Stair Parts and will be charged 25% of the sale price to cover re-stocking and handling.
- Merchandise must be in original cartons and in good, original condition.
- Original invoice numbers must be indicated on all returns.
- Returns should be sent pre-paid freight within 60 days of purchase.

SPECIAL ORDERS:

A 50% deposit is required on all special orders before processing and production of the order. Once production has started the order cannot be cancelled.

INTERIOR USE:

All products are only to be used for interior use.

HALF NEWELS:

Half newels are available at 75% of the price of full newels. Box newels are not available as half newels.

HEARTWOOD/SAPWOOD:

When we establish a Sales Price for stock or custom parts, we anticipate using heart and sapwood.

HANDRAIL LENGTHS:

We will make every effort to supply your specified hand rail lengths, but you may receive the next available length, and in those cases you will be charged for the length shipped.



Photo courtesy of Blooming Grove Stair Company



IDEAL STAIR PARTS

225 West Main Street
Little Falls, NY 13365
888-823-1124

e-mail: sales@idealstairparts.com
www.idealstairparts.com

