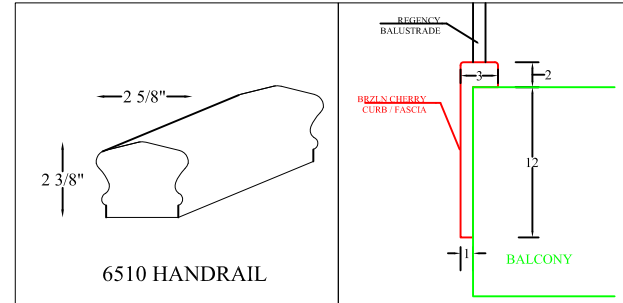
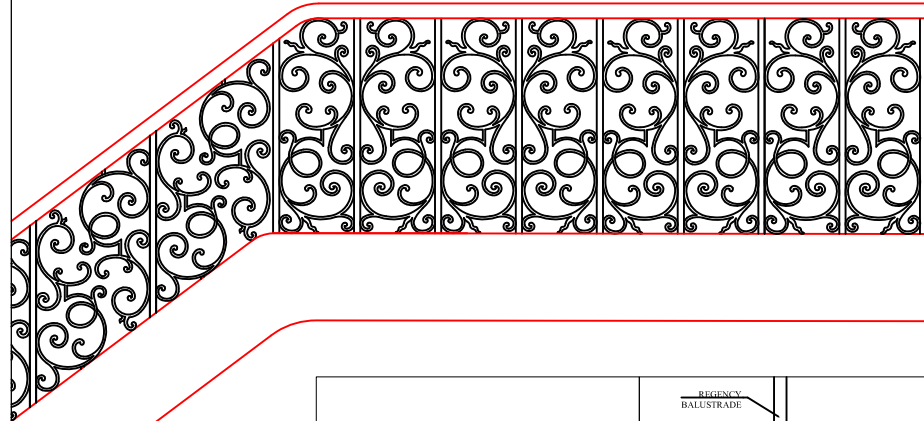
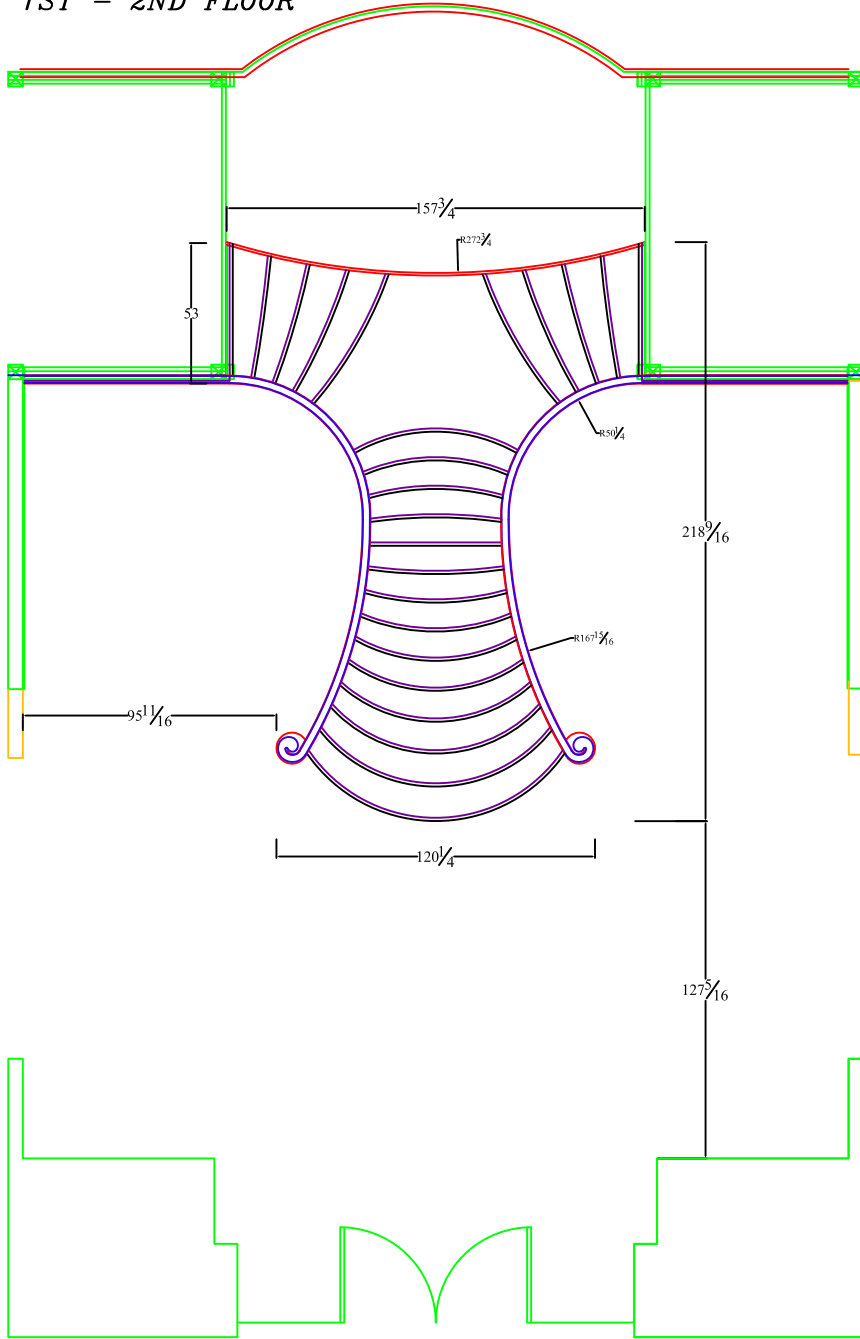
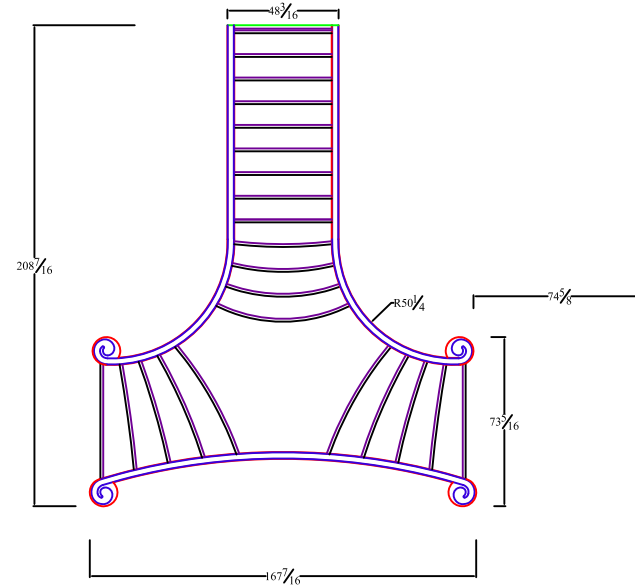


1ST - 2ND FLOOR



BASEMENT - 1ST FLOOR



DATE: 08/25/2012	
Stringers: BRAZILIAN CHERRY	Handrail: 6510 BRZN CHERRY
Treads: BRAZILIAN CHERRY	Newels: IRON
Out - to - Out: VARIES	Balusters: REGENCY PANEL
SUB-STRINGERS & CENTER STRINGERS PER DETAIL	



Customer Signature: _____

Date: _____

Your signature constitutes your acceptance of this design. Any changes must be addressed prior to production. Please carefully review and sign this drawing as well as any other associated forms. Thank-you.